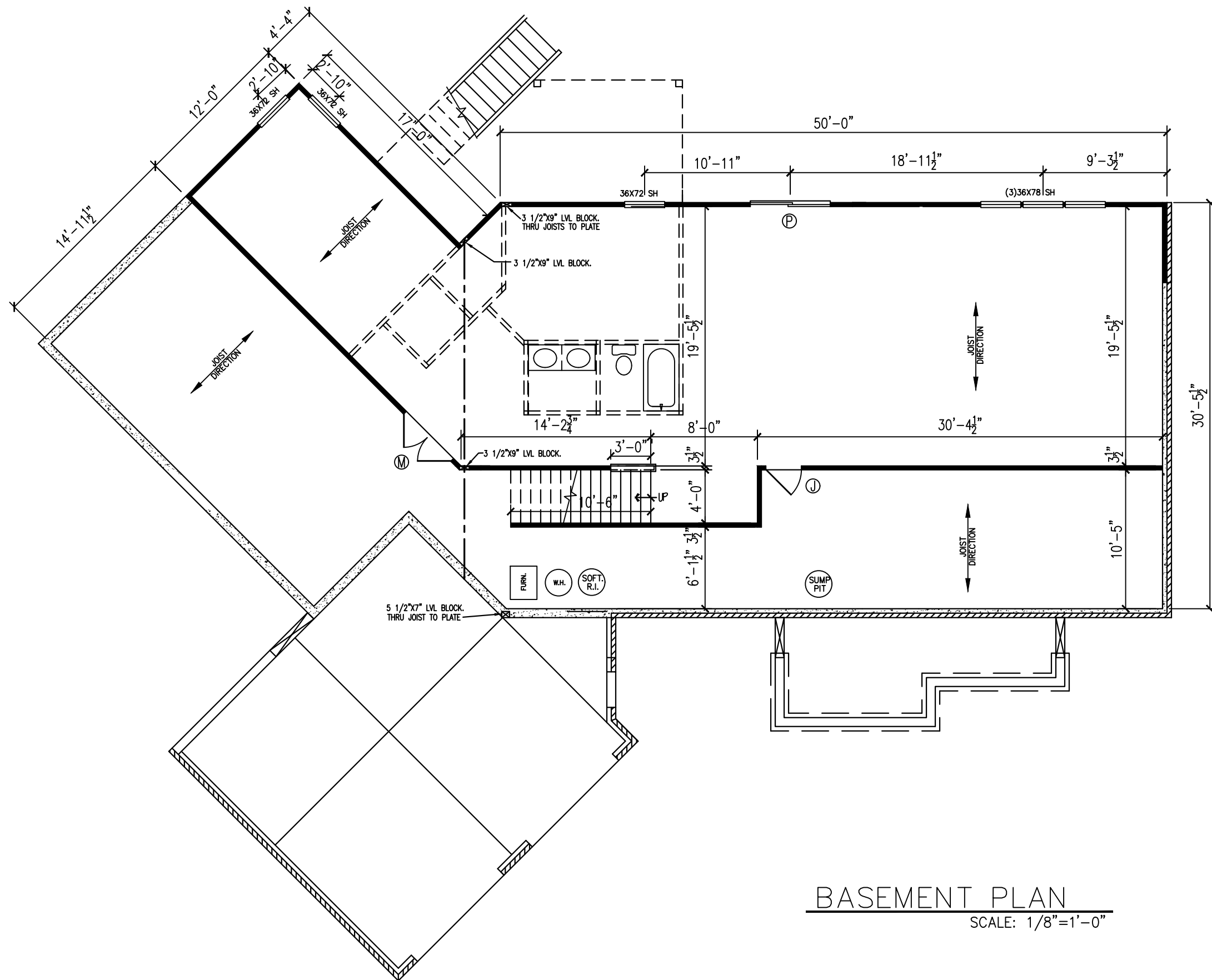
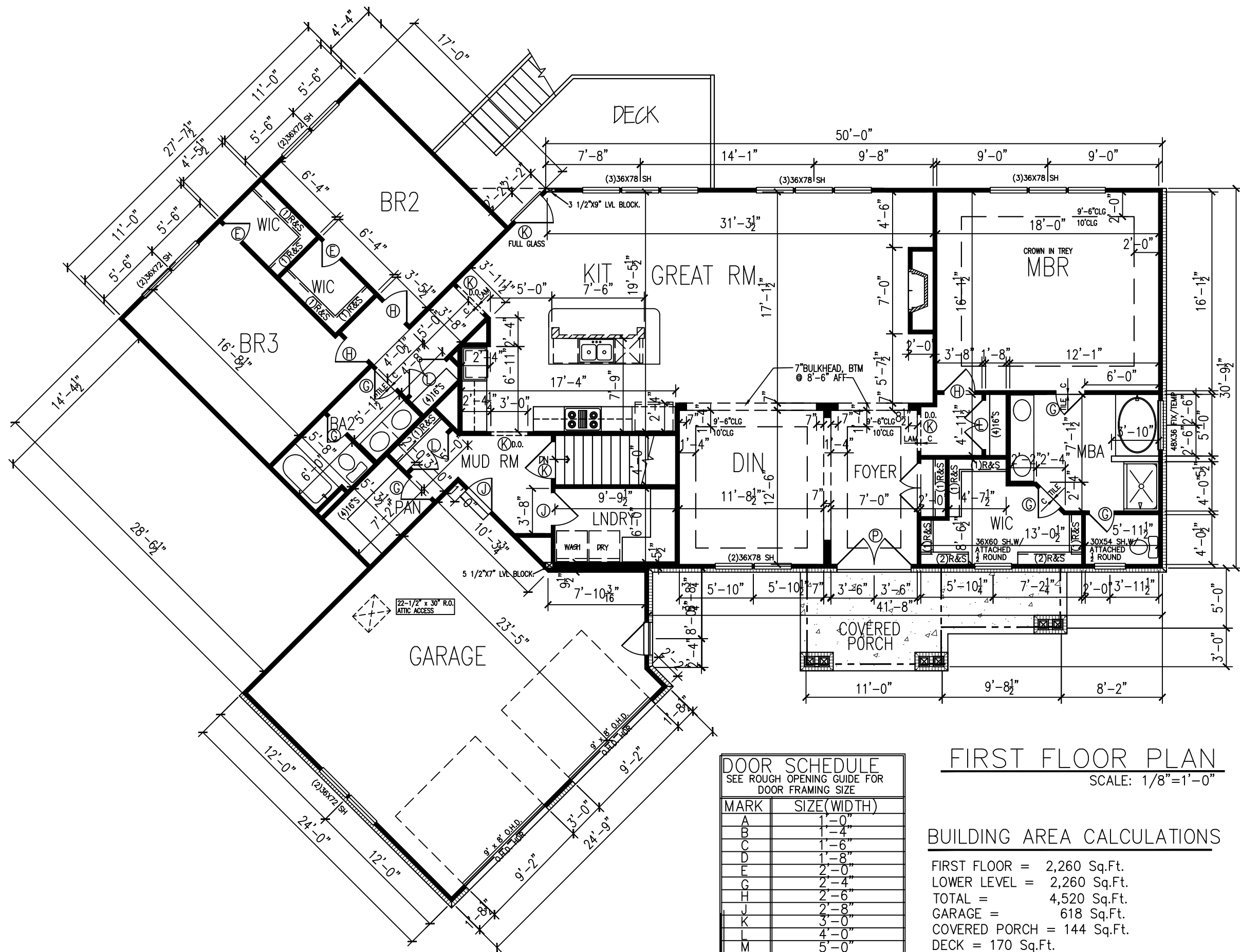


SHEET NO. 1	DATE: 12/5/16	DRAWN BY: BEAN	ADDRESS	CHARLOTTE NC	JCBHome Designs
				CHARLOTTE NC	COPYRIGHT 2016
				980-800-7002	



BASEMENT PLAN
SCALE: 1/8"=1'-0"

SHEET NO: 2	DATE: 12/5/16	DRAWN BY: BEAN	ADDRESS CHARLOTTE NC	JCBHome Designs SANTANGELO CHARLOTTE NC
	COPYRIGHT 2016 CHARLOTTE NC 980-800-7002			



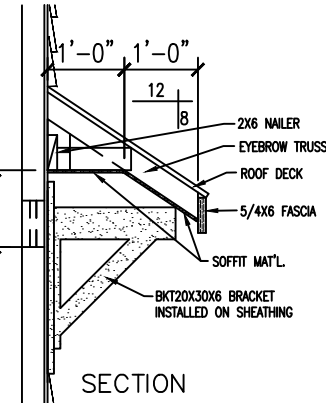
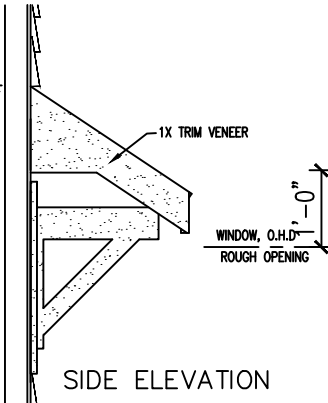
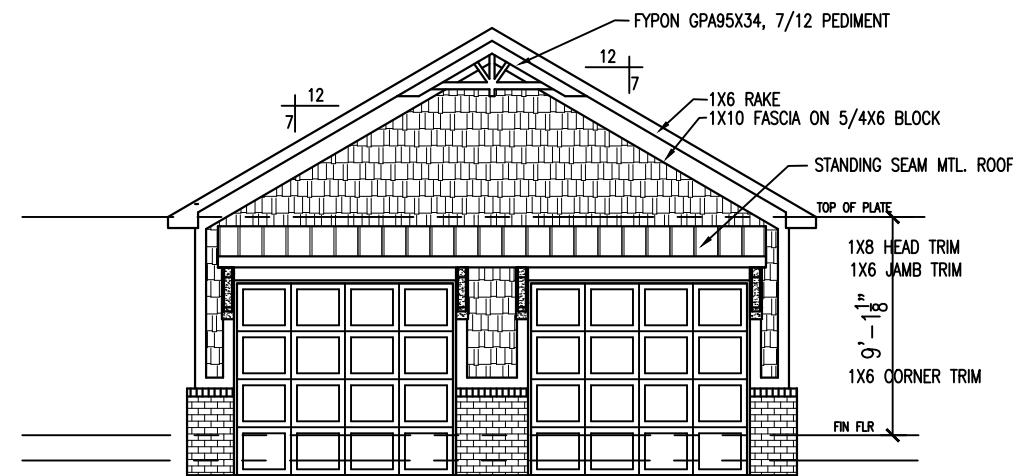
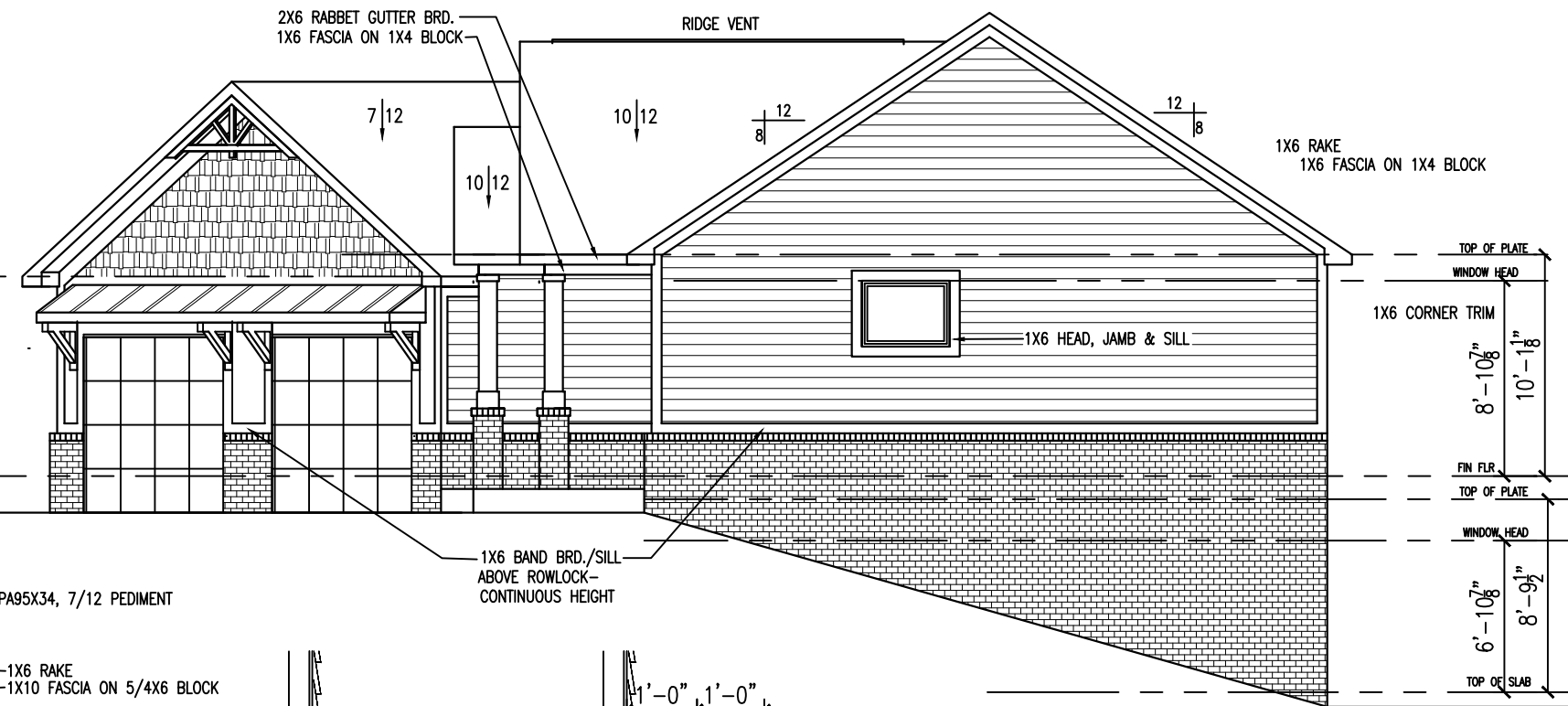
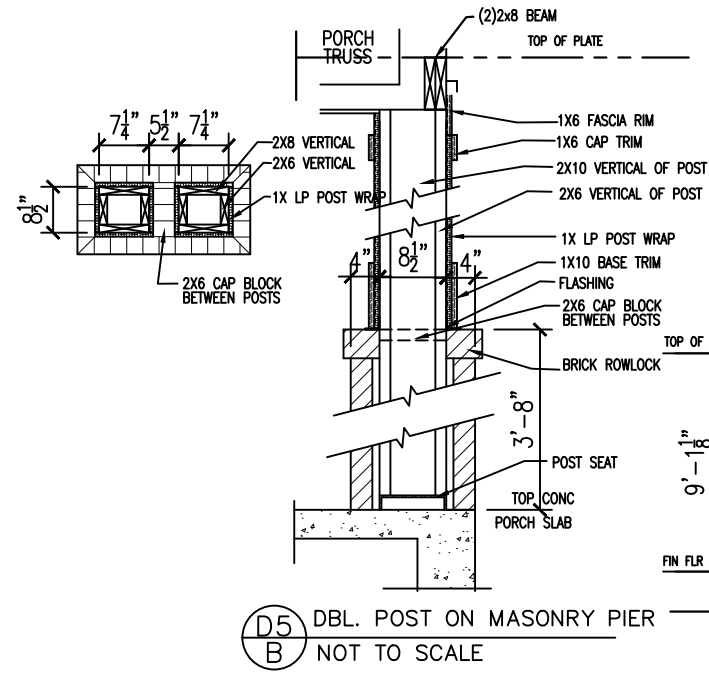
DOOR SCHEDULE
SEE ROUGH OPENING GUIDE FOR DOOR FRAMING SIZE

MARK	SIZE (WIDTH)
A	1'-0"
B	1'-4"
C	1'-6"
D	1'-8"
E	2'-0"
G	2'-4"
H	2'-6"
J	2'-8"
K	3'-0"
L	4'-0"
M	5'-0"
N	5'-4"
P	6'-0"
TYPE	SIZE (HEIGHT)
STD.	6'-11"
BF	6'-10"
BP	6'-11"

FIRST FLOOR PLAN
SCALE: 1/8" = 1'-0"

BUILDING AREA CALCULATIONS

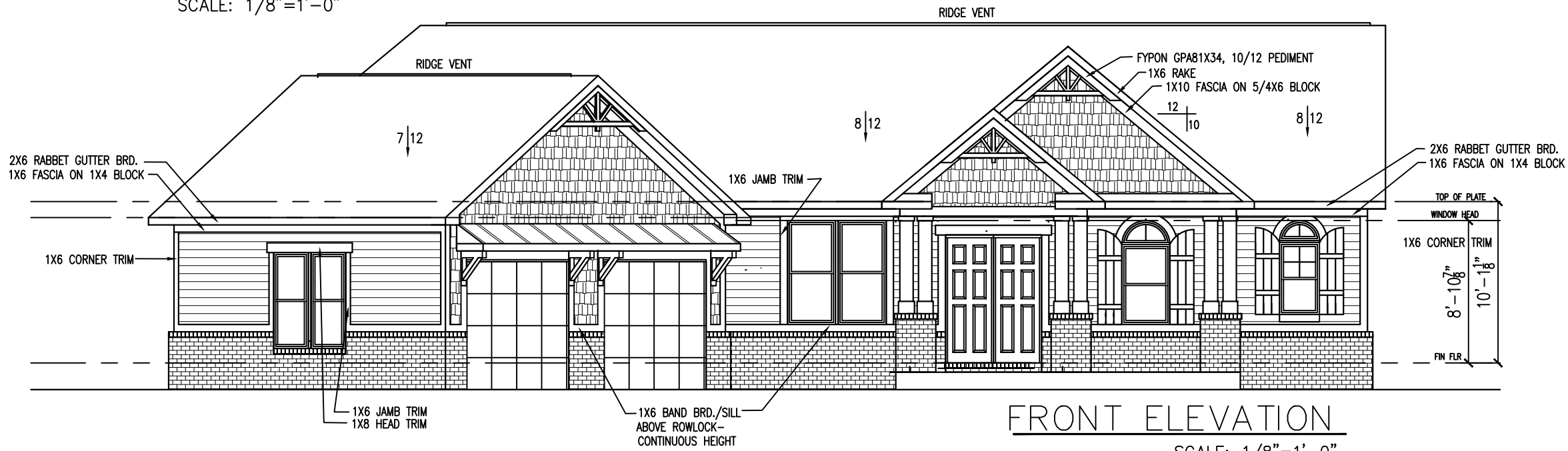
FIRST FLOOR = 2,260 Sq.Ft.
 LOWER LEVEL = 2,260 Sq.Ft.
 TOTAL = 4,520 Sq.Ft.
 GARAGE = 618 Sq.Ft.
 COVERED PORCH = 144 Sq.Ft.
 DECK = 170 Sq.Ft.
 PATIO = TO BE DETERMINED



RIGHT SIDE ELEVATION
SCALE: 1/8"=1'-0"

12" RAKE & GUTTER OVERHANG
VINYL LAPP SIDING
DIMENSIONAL SHINGLES

FRONT OF GARAGE
SCALE: 1/8"=1'-0"



FRONT ELEVATION
SCALE: 1/8"=1'-0"

JCBHome Designs

SANTANGELO

CHARLOTTE NC

ADDRESS

12/5/16

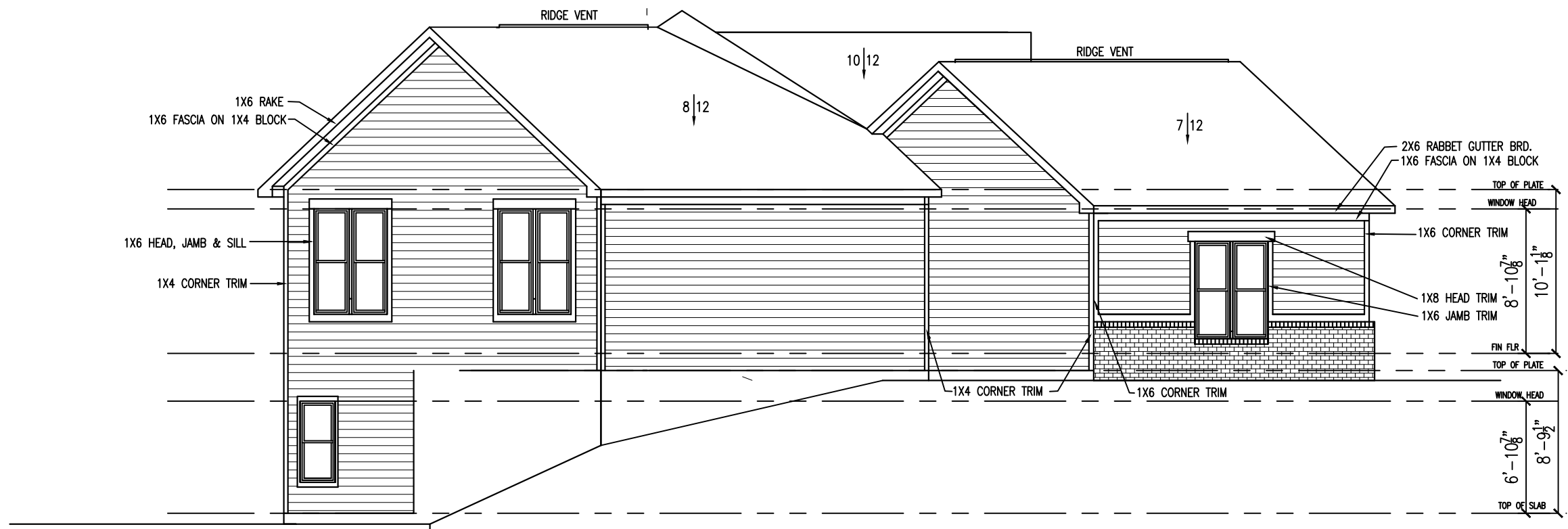
BEAN

4

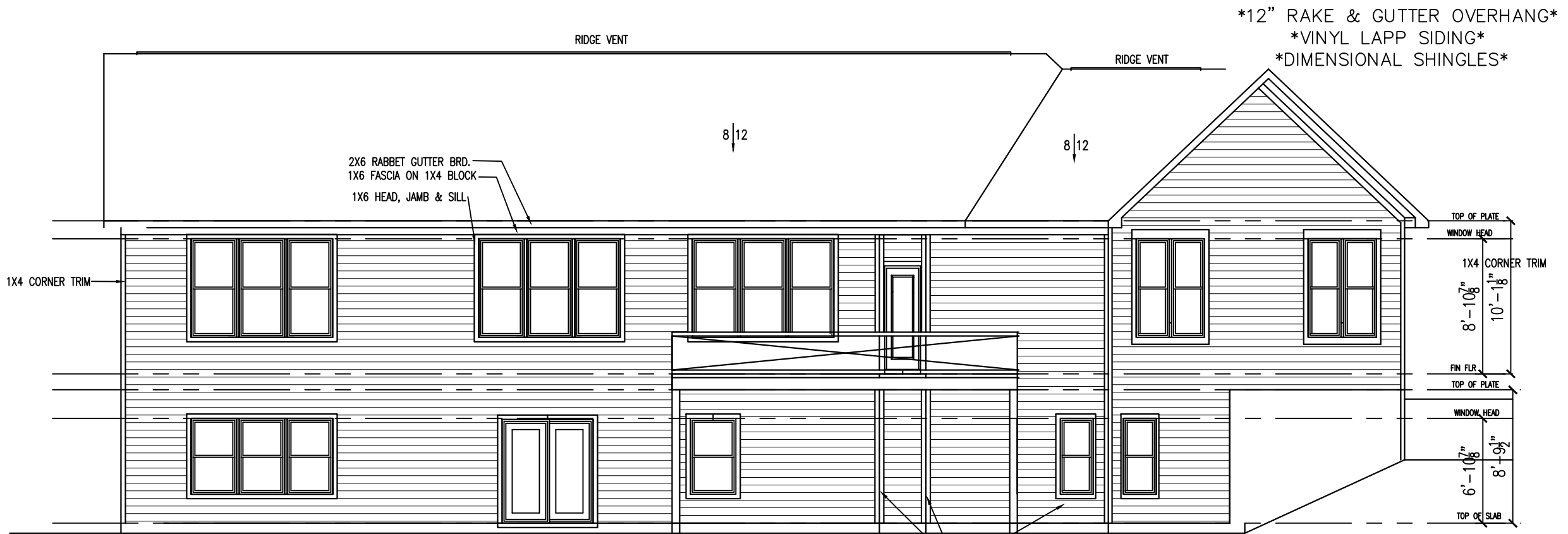
DATE: 12/5/16
DRAWN BY: BEAN

SHEET NO.: 4

COPYRIGHT 2016
CHARLOTTE NC 980-800-7002



LEFT SIDE ELEVATION
SCALE: 1/8"=1'-0"



REAR ELEVATION
SCALE: 1/8"=1'-0"

